

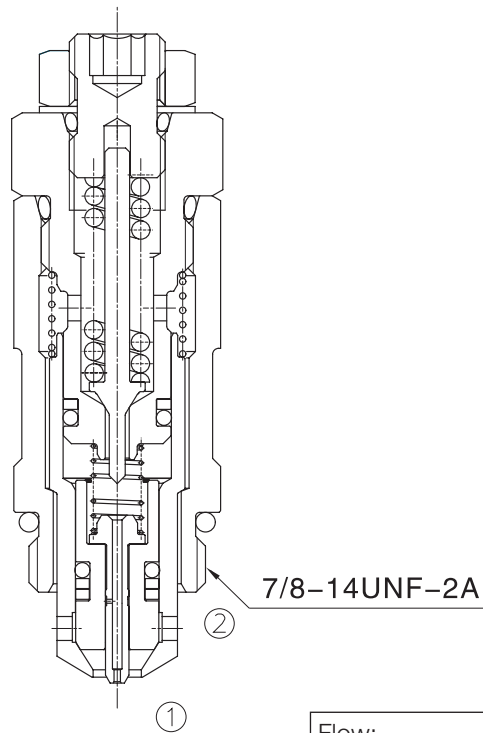
工程机械用

LPOSRV-10S

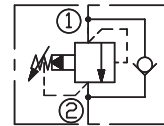
过载补油溢流阀

说明 DESCRIPTION

An adjustable, pilot-operated spool-damping style circuit relief anti-cavitation valve.



SYMBOL



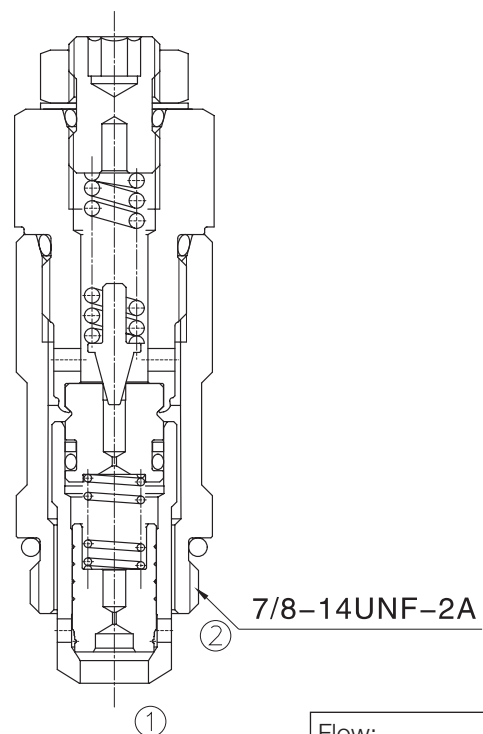
Flow:	40L/min
Max. Pressure:	35Mpa
24mm HEX Torque:	47-54Nm
Cavity:	10S1-2, see page(M-19)

LPOPRV-10S

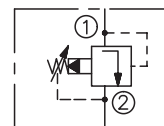
主溢流阀

说明 DESCRIPTION

A pilot-operated pressure relief valve.



SYMBOL



Flow:	70L/min
Max. Pressure:	35Mpa
24mm HEX Torque:	47-54Nm
Cavity:	10S2-2, see page(M-19)