

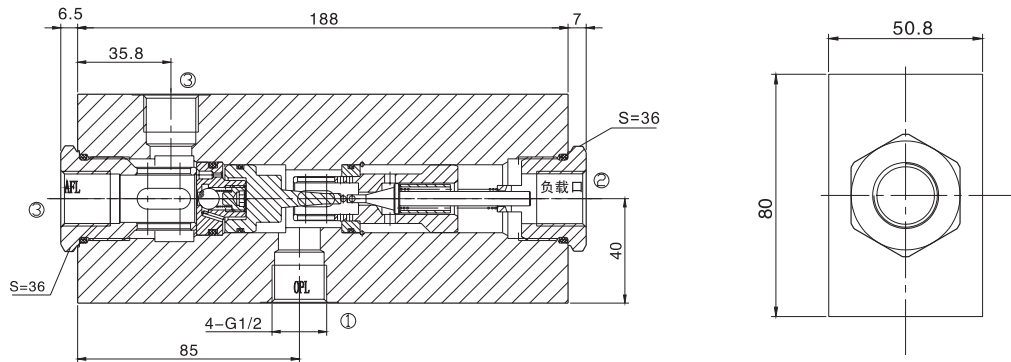
LMB-CB17

负载控制阀

说明 DESCRIPTION

Load Control Valve

负载控制阀



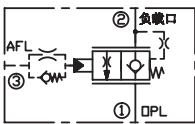
工作 OPERATION

This valve allows free flow from port ① to port ② and blocks flow from port ② to port ① or holding a load. Flow will be allowed from port ② to port ① when pressure is applied to pilot ③.

This pilot operated check valve has a 21.5:1 pilot ratio, meaning that it takes at least 1/21.5 of the load pressure held at port ② required at pilot ③ to open the valve.

油液从①口到②口自由流动，②口到①口关闭，保持②口承载。当③口先导压力超过②口负载压力的 1/21.5 时，②口到①口平稳打开。

SYMBOL



技术参数 SPECIFICATIONS

最大工作压力(Max.Operating Pressure):	350bar
流量(Flow):	200 l/min.
控制比(Pilot Ratio):	21.5:1
内泄漏(Internal Leakage):	2 drops/min(滴/分). max. at 350 bar
开启压力(Crack Pressure):	0.3bar
温度(Temperature):	-40°F to +250°F(-40°C to +120°C)
过滤(Filtration):	See page (参见) N-1
油液(Fluids):	Mineral-based fluids with viscosities of 7.4 to 420 cSt.(矿物油粘度)
阀块材料(Body Material):	Steel & Ductile iron rated to 350bar 钢和球铁允许使用最大压力350bar

订货代号 TO ORDER

LMB - CB17 - *

1

2

3

1 功能
LMB= 负载控制阀 Load Control Valve

2 规格 Size
CB17=CB17 规格

3 阀块油口 Body Material
空白 Blank= 铝合金
Omit For Aluminum
S=Steel