

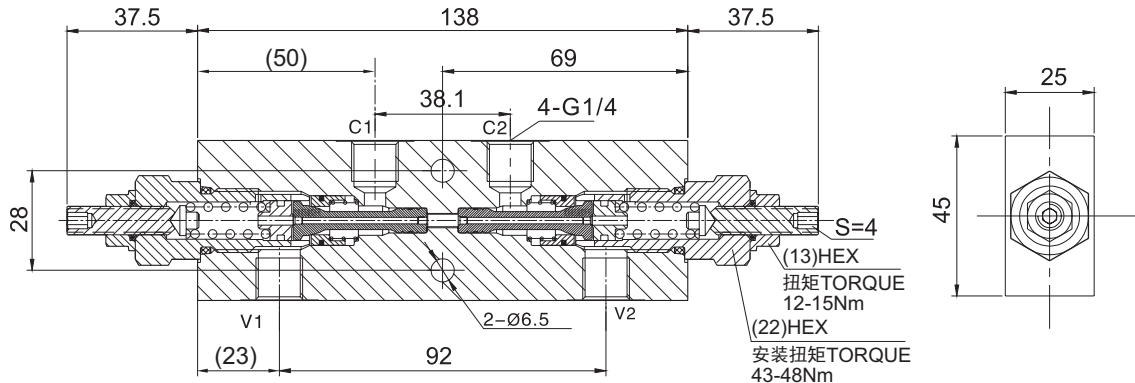
DCB-LMB-RD78G-2G-35

双向平衡阀组

说明 DESCRIPTION

Dual counterbalance manifolds

双向平衡阀

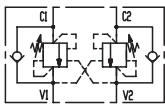


工作 OPERATION

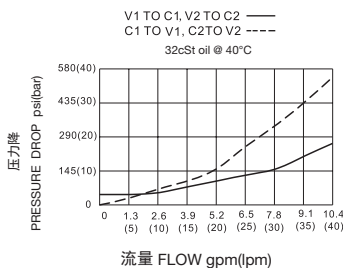
It provides static and dynamic control of load by regulating the flow IN and OUT of the actuator, through ports C1 and C2. This valve module includes 2 sections, each one composed by a check and a relief valve pilot assisted by pressure in the opposite line: the check section allows free flow into actuator, then locks the load against reverse movement; with pilot pressure applied at line across, the pressure setting of the relief is reduced in proportion to the stated ratio until opening and allowing controlled reverse flow. Back-pressure at V1 or V2 is additive to pressure settings in all functions.

双向平衡阀对流入和流出执行机构的油液进行动静态负载控制。这个阀组分两个部分，每个部分包含一个单向阀和一个由对面油路先导控制的溢流阀；单向阀允许油液自由进入执行机构，反向关闭；通过作用于对面油路的先导压力，使得溢流阀的压力设定按照液控比降低，直至溢流阀开启，从而允许油液反向流动。作用于V1或V2的背压叠加到溢流阀的设定值上。

SYMBOL



压力 - 流量曲线 PRESSURE DROP VS.FLOW

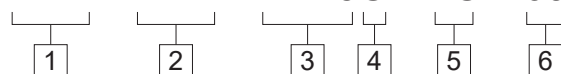


技术参数 SPECIFICATIONS

最大工作压力(Max.Operating Pressure):	350bar
流量(Flow):	See PRESSURE DROP VS.FLOW graph.
控制比(Pilot Ratio):	4.1:1
内泄漏(Internal Leakage):	5 drops/min(滴/分). at nominal pressure
温度(Temperature):	-40°F to +250°F(-40°C to +120°C)
过滤(Filtration):	See page (参见) N-1
油液(Fluids):	Mineral-based fluids with viscosities of 7.4 to 420 cSt.(矿物油粘度)
阀块材料(Body Material):	Steel & Ductile iron rated to 350bar 钢和球铁允许使用最大压力350bar

订货代号 TO ORDER

DCB - LMB - RD78G - 2G - 35



- 1 功能
DCB= 双向平衡阀 Dual Counterbalance
- 2 连接类型 ConnectionType
- 3 规格 Size
- 4 液控比 Pilot Ratio
G=4.1:1

- 5 阀块油口 Body Porting
2G=G 1/4
其它螺纹油口也是可选择的
Other Porting is Available

- 6 调压范围 Spring Range
35=1450-5000psi(100-350bar)
Preset:5000psi(350bar) 175bar/圈
固定设定值 psi(bar) Q=5l/min