

LPOSRV2K-M33

先导溢流阀 (带反向单向阀功能)

说明 DESCRIPTION

A pilot-operated pressure limitation and feed valve with external drain port.

带反向单向阀、外泄口型先导座阀式溢流阀

工作 OPERATION

The valve prevents flow from ① to ② until pressure at ① exceeds the set crack pressure and opens the pilot section. The pilot flow creates a pressure differential across the poppet which causes the valve to open allowing flow ① or ② protecting the circuit from over pressurization.

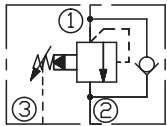
If the pressure at ② is at least 2 bar higher than pressure at ①. The main poppet will be lifted out of its seat, to allow flow from ② to ①, This feed function is used to make up for lacking hydraulic fluid volumes.

Pressure at port ③ is directly additive to the valve setting at a 1:1 ratio and should not exceed 420bar.

阀体①口和②口不通，直到①口压力超过设定压力且打开先导阀芯。这样，先导阀芯引起主阀芯两端压力差的变化，压力差达到一定时，①口和②口互通，当②口的压力比①口压力高出 2.0bar 以上时，②到①打开，油液从②流向①，补油功能通常在系统中液压油不足时进行补充。

油口③的压力直接 1:1 加于阀的设定值上，并且不能超过 50bar。

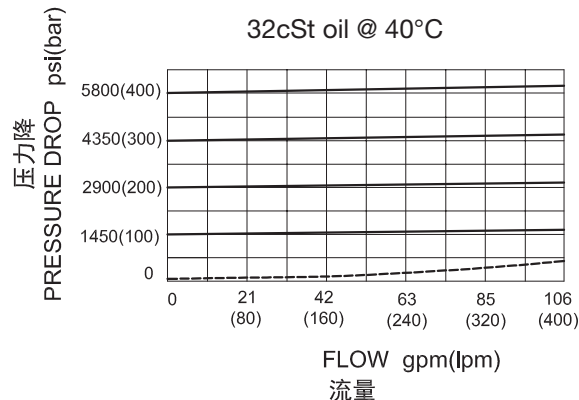
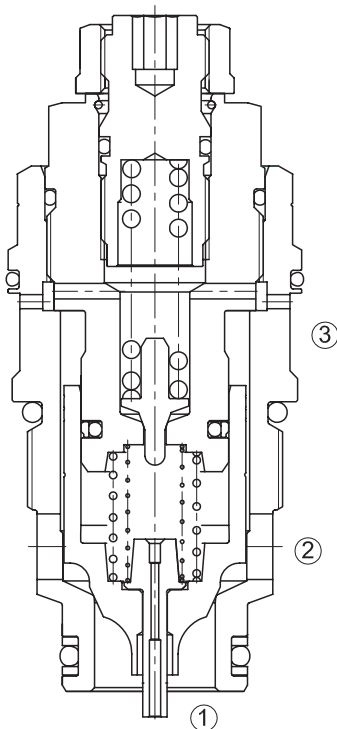
SYMBOL



技术参数 SPECIFICATIONS

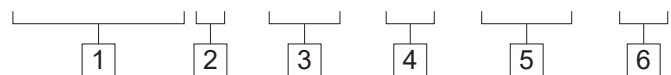
最大工作压力(Max.Operating Pressure):	420bar
最大流量(Max.Flow):	400L/min
内泄漏(Internal Leakage):	10 drops/min(滴/分). max. to 80% of nominal setting
温度(Temperature):	-40°F to +250°F(-40°C to +120°C)
过滤(Filtration):	See page (参见) N-1
油液(Fluids):	Mineral-based fluids with viscosities of 7.4 to 420 cSt.(矿物油粘度)
插孔(Cavity):	Rexroth-HK, See page M-30
阀块材料(Body Material):	Steel & Ductile iron rated to 350bar 钢和球铁允许使用最大压力350bar

压力 - 流量曲线 PRESSURE DROP VS.FLOW



订货代号 TO ORDER

LPOSRV2 K – M33 – * * / * * * * – * *



- | | | |
|---|---|---|
| <p>1 功能
LPOSRV2= 先导式溢流阀
Adjustable Pilot-Operated
Cartridge Relief Valve</p> | <p>4 压力范围 Spring Ranges
60=1450-6050psi(100-420bar)
Preset:3600psi(250bar)</p> | <p>6 阀块油口 Body Porting
空白 Blank= 不带阀块 None
8T=SAE 8
10T=SAE 10
4G=G 1/2
6G=G 3/4</p> |
| <p>2 外泄口 External Drain Port</p> | <p>5 设定压力 Settings In Bar
空白 Blank= 预设定 Preset
例 Example:0250=250bar</p> | |
| <p>3 规格 Size
M33=M33 规格</p> | | <p>其它螺纹油口也是可选择的
Other Porting is Available</p> |

安装尺寸 INSTALLATION DIMENSIONS

Unit=Millimeters

