

LPOSRV-10M

过载补油溢流阀

说明 DESCRIPTION

A cartridge-style pilot-operated poppet -type anti-cavitation relief valve

反向补油型，先导座阀式溢流阀

工作 OPERATION

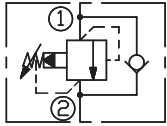
The valve prevents flow from ① to ② until pressure at ① exceeds the set crack pressure and opens the pilot section. The pilot flow creates a pressure differential across the poppet which causes the valve to open allowing flow from ① to ② protecting the circuit from over pressurization.

Pressure at ② overcomes the spring-bias pressure 0.8bar and allows free flow from ② to ①, then in its steady state, pressure maintains at 0.7 bar.

阀体①口和②口不通，直到①口压力超过设定压力且打开先导阀芯。这样，先导阀芯引起主阀芯两端压力差的变化，压力差达到一定时，①口和②口互通。

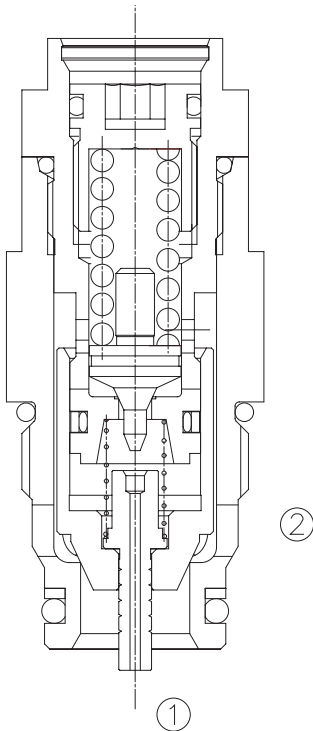
当在②口的压力超过①口 0.8bar，②到①打开。稳定后，压力平稳值为 0.7bar。

SYMBOL



技术参数 SPECIFICATIONS

最大工作压力(Max.Operating Pressure):	350bar
流量(Flow):	100L/min.
内泄漏(Internal Leakage):	10 drops/min(滴/分). max. to 80% of nominal setting
闭合压力(Reseat Pressure):	85% of crack pressure 开启压力 (crack pressure at 0.95 lpm /0.25 gpm)
温度(Temperature):	-40°F to +250°F(-40°C to +120°C)
过滤(Filtration):	See page (参见) N-1
油液(Fluids):	Mineral-based fluids with viscosities of 7.4 to 420 cSt.(矿物油粘度)
插孔(Cavity):	10M-2, See page M-20
阀块材料(Body Material):	Steel & Ductile iron rated to 350bar 钢和球铁允许使用最大压力350bar



订货代号 TO ORDER

LPOSRV – 10M – * * / * * – * *

┌───┐
┌───┐
┌──┐
┌──┐
┌──┐

1
2
3
4
5

<p>1 功能 LPOSRV= 先导式溢流阀 Adjustable Pilot-Operated Cartridge Relief Valve</p>	<p>3 弹簧调压 Spring Ranges 50=725-5000psi(50-350bar) 预设设定Preset:3000psi(210bar)</p>	<p>5 阀块油口 Body Porting 空白 Blank= 不带阀块 None 8T=SAE 8 10T=SAE 10</p>
<p>2 规格 Size 10M=10M 规格</p>	<p>4 设定压力 Setting In Bar 空白 Blank= 预设设定 Preset 例 Example:0250=250bar</p>	<p>其它螺纹油口也是可选择的 Other Porting is Available</p>

安装尺寸 INSTALLATION DIMENSIONS

Unit=Millimeters

