

# DCB-MMB2-DE30G-3G

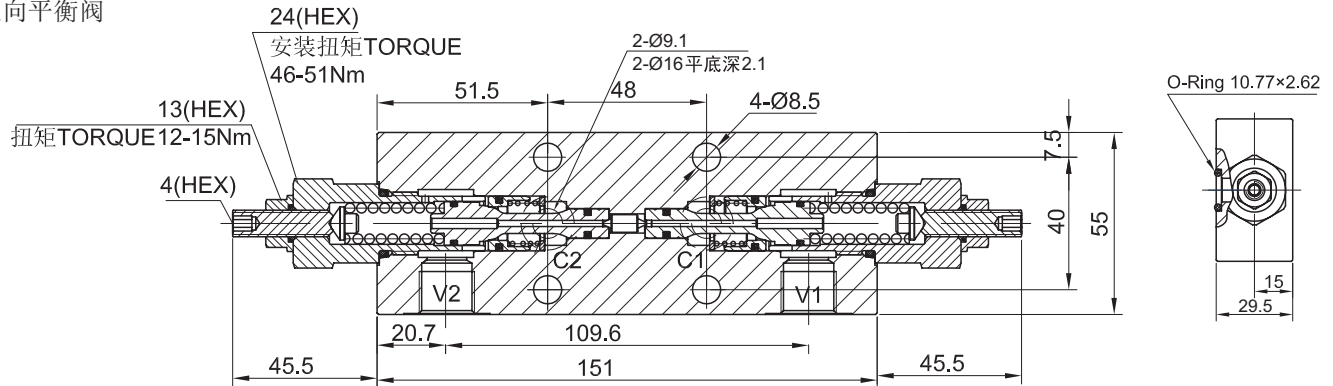
双向平衡阀组



## 说明 DESCRIPTION

Dual counterbalance manifolds

双向平衡阀

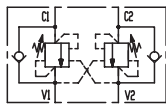


## 工作 OPERATION

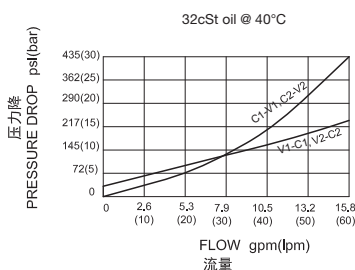
It provides static and dynamic control of load by regulating the flow IN and OUT of the actuator, through ports C1 and C2. This valve module includes 2 sections, each one composed by a check and a relief valve pilot assisted by pressure in the opposite line: the check section allows free flow into actuator, then locks the load against reverse movement; with pilot pressure applied at line across, the pressure setting of the relief is reduced in proportion to the stated ratio until opening and allowing controlled reverse flow. Back-pressure at V1 or V2 is additive to pressure settings in all functions.

双向平衡阀对流入和流出执行机构的油液进行动静态负载控制。这个阀组分两个部分，每个部分包含一个单向阀和一个由对面油路先导控制的溢流阀；单向阀允许油液自由进入执行机构，反向关闭；通过作用于对面油路在先导压力，使得溢流阀的压力设定按照液控比降低，直至溢流阀开启，从而允许油液反向流动。作用于 V1 或 V2 的背压叠加到溢流阀的设定值上。

## SYMBOL



## 压力 - 流量曲线 PRESSURE DROP VS.FLOW



## 订货代号 TO ORDER

DCB - MMB2 - DE30G - 3G - \* \*



- |   |   |  |
|---|---|--|
| <p><b>1</b> 功能<br/>DCB= 双向平衡阀 Dual Counterbalance</p> <p><b>2</b> 连接类型 <b>Connection Type</b></p> <p><b>3</b> 规格 <b>Size</b></p> <p><b>4</b> 液控比 <b>Pilot Ratio</b><br/>G=4.2:1</p> | <p><b>5</b> 阀块油口 <b>Body Porting</b><br/>3G=G 3/8<br/>其它螺纹油口也是可选择的<br/>Other Porting is Available</p> | <p><b>6</b> 调压范围 <b>Spring Ranges</b><br/>35=1450-5000psi(100-350bar)<br/>Preset:5000psi(350bar) 130bar/ 圈<br/>21=870-3000psi(60-210bar)<br/>Preset:3000psi(210bar) 65bar/ 圈<br/>固定设定值 psi(bar) Q=5l/min</p> |
|---|---|--|