

LSV2-08-2 NCRP

二位二通电磁阀 常闭型

说明 DESCRIPTION

A solenoid operated, 2-way, 2-position, normally closed, poppet-type cartridge valve with reverse flow energized.

二位，二通，常闭型座阀式电磁阀

工作 OPERATION

When de-energized, the valve acts as a check valve, allowing flow from ① to ②, while blocking flow from ② to ①.

When energized, the poppet lifts to open the ② to ① flow path. In this mode, flow is also allowed from ① to ②

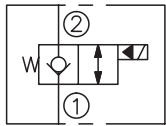
失电时，①到②相当于单向阀，②到①关闭；
得电时，②到①，①到②互通。

手控应急 Operation of Manual Override Option

To override, push button in, twist counterclockwise 180° and release. In this position, the valve will remain open in a detented condition. To return to normal operation, push button in, twist clockwise 180° and release. Override will be detented in this position.

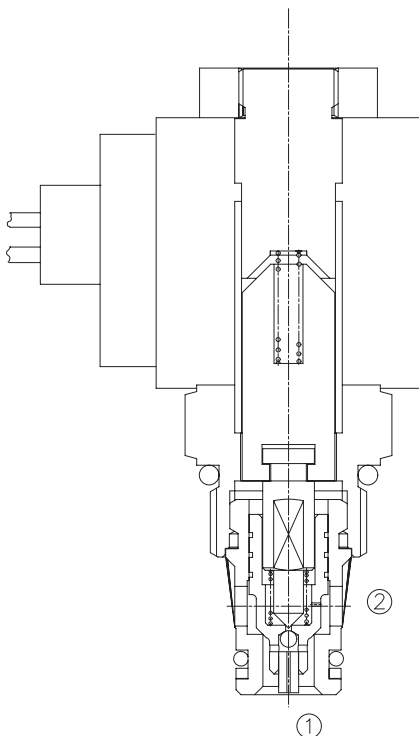
请按下按钮，再逆时针方向旋转 180°，后松开，②到①，①到②互通；请按下按钮，再顺时针方向旋转 180°，后松开，返回常态。

SYMBOL

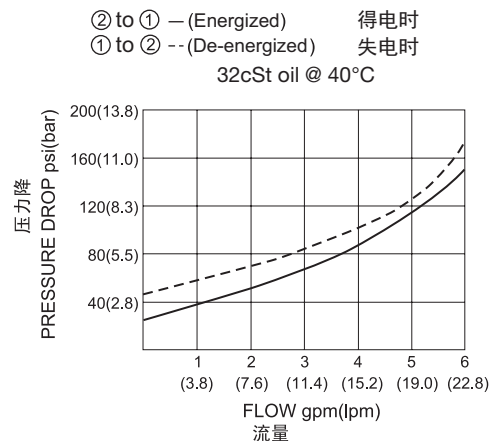


技术参数 SPECIFICATIONS

最大工作压力(Max. Operating Pressure):	207bar
流量(Flow):	See PRESSURE DROP VS.FLOW graph.
内泄漏(Internal Leakage):	2 drops/min.(滴/分) max. at 207bar
温度(Temperature):	-40°F to +212°F(-40°C to +100°C)
线圈额定负载(Coil Duty Rating):	Continuous from 85% to 115% of nominal voltage(连续工作电压)
过滤(Filtration):	See page (参见) N-1
油液(Fluids):	Mineral-based fluids with viscosities of 7.4 to 420 cSt.(矿物油粘度)
插孔(Cavity):	08-2, See page M-1
阀块材料(Body Material):	6061-T6 aluminum alloy rated to 207bar, Steel & Ductile iron rated to 350bar 6061-T6铝,允许使用最大压力207bar 钢和球铁允许使用最大压力350bar



压力 - 流量曲线 PRESSURE DROP VS.FLOW



LSV2 - 08 - 2 NCR P - * - * * - * *

┌──┐
┌──┐
┌──┐
┌──┐
┌──┐
┌──┐
┌──┐
┌──┐
┌──┐

1
2
3
4
5
6
7
8
9

- 1 **功能**
 LSV2= 电磁阀 Solenoid Valve

- 2 **规格 Size**
 08=08 规格

- 3 **流道类型 Flow Path**
 2= 二通

- 4 **模式**
 NCR= 常闭, 得电双向流通
 Normally Closed, Reverse Flow Energized

- 5 **类型**
 P= 锥阀型 Poppet

- 6 **手控应急**
 空白 Blank= 无手控应急 None
 M= 手控应急 Manual Override

- 7 **电压 Voltage**
 1=12 VDC
 2=24 VDC
 3=110 VAC
 4=220 VAC
 5=10 VDC
 7=48 VDC
 8=24 VAC

- 8 **线圈连接 Coil Connection**
 D= Double Lead 双线
 S= Single Lead 单线
 H= Hirschmann 三插
 ER= Deutsch Connector(Water-proof Coil)
 德意志插座(防水线圈)
 E= Single Stud 单接线柱
 B= Double Spade 双插

- 9 **阀块油口 Body Porting**
 空白 Blank= 不带阀块 None
 4T=SAE 4
 6T=SAE 6
 2G=G 1/4
 3G=G 3/8

※ 阀块详见章节 K-1
 其它螺纹油口也是可选择的
 Other Porting Is Available

安装尺寸 INSTALLATION DIMENSIONS

Coil Must Be Installed With Letter Up
 安装线圈时, 字母必须朝上。

Unit=Millimeters

