

# LSV2-08-3C

## 二位三通电磁阀 滑阀型

### 说明 DESCRIPTION

A solenoid operated, 3-way, 2-position, spool-type cartridge valve.

二位，三通，滑阀式电磁阀

### 工作 OPERATION

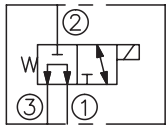
When de-energized, the valve allows flow from ③ to ① or from ① to ③, while blocking flow at ②. When energized, the cartridge's spool shifts to allow flow from ② to ① or from ① to ②, while blocking flow at ③.

While port ① may be fully pressurized, it is not intended to be used as the inlet. 失电时，③和①通，与②不通；得电时，②和①通，与③不通。建议①口不作进油口。

### 手控应急 Operation of Manual Override Option

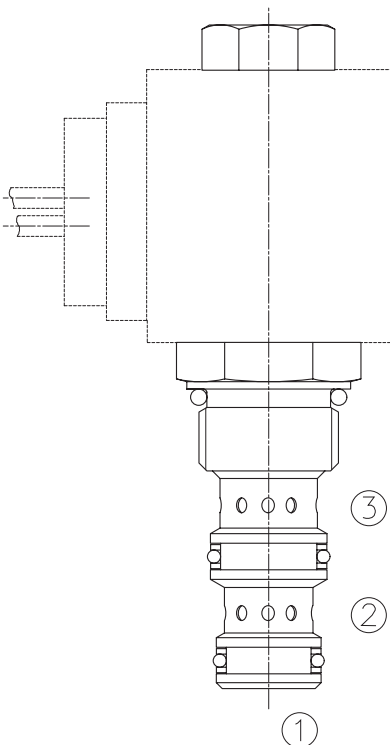
To override, push button in, twist counterclockwise 180° and release. In this position, valve will remain detented in the shifted condition. To return to normal operation, push button in, twist clockwise 180° and release. Override will be detented in this position. 请按下按钮，再逆时针方向旋转 180°，后松开，②和①通，与③不通；请按下按钮，再顺时针方向旋转 180°，后松开，返回常态。

### SYMBOL

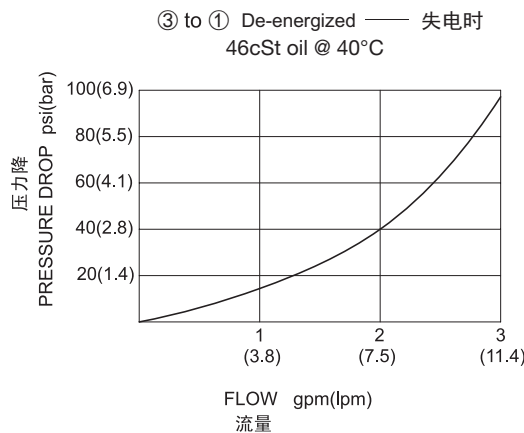


### 技术参数 SPECIFICATIONS

工作压力(Operating Pressure):	207bar
流量(Flow):	See PERFORMANCE CHARACTERISTIC graph.
内泄漏(Internal Leakage):	(per land)82cc/min.(毫升/分) max. at 207bar
温度(Temperature):	-40°F to +212°F(-40°C to +100°C)
线圈额定负载(Coil Duty Rating):	Continuous from 85% to 115% of nominal voltage(连续工作电压)
过滤(Filtration):	See page (参见) N-1
油液(Fluids):	Mineral-based fluids with viscosities of 7.4 to 420 cSt.(矿物油粘度)
插孔(Cavity):	08-3, See page M-1
阀块材料(Body Material):	6061-T6 aluminum alloy rated to 207bar, Steel & Ductile iron rated to 350bar 6061-T6铝,允许使用最大压力207bar 钢和球铁允许使用最大压力350bar



### 压力 - 流量曲线 PRESSURE DROP VS.FLOW



**LSV2 - 08 - 3C - \* - \* \* - \* \***

┌───┐
┌───┐
┌───┐
┌───┐
┌───┐
┌───┐
┌───┐

1
2
3
4
5
6
7

**1** 功能  
LSV2= 电磁阀 Solenoid Valve

**2** 规格 Size  
08=08 规格

**3** 流道类型 Flow Path  
3C= 三通

**4** 手控应急  
空白 Blank= 无手控应急 None  
M= 手控应急 Manual Override

**5** 电压 Voltage

1=12	VDC
2=24	VDC
3=110	VAC
4=220	VAC
5=10	VDC
7=48	VDC
8=24	VAC

**6** 线圈连接 Coil Connection

D= Double Lead	双线
S= Single Lead	单线
H= Hirschmann	三插
ER= Deutsch Connector(Water-proof Coil)	德意志插座(防水线圈) IP69K
E= Single Stud	单接线柱
B= Double Spade	双插

**7** 阀块油口 Body Porting  
空白 Blank= 不带阀块 None  
4T=SAE 4  
6T=SAE 6  
2G=G 1/4  
3G=G 3/8

※ 阀块详见章节 K-2  
其它螺纹油口也是可选择的  
Other Porting Is Available

**安装尺寸 INSTALLATION DIMENSIONS**

Coil Must Be Installed With Letter Up  
安装线圈时，字母必须朝上。

Unit=Millimeters

