

LSV5-08-2 NOS

二位二通电磁阀 双向止回型

说明 DESCRIPTION

A solenoid operated, 2-way, 2-position, normally open, spool-type cartridge valve.

二位，二通，常开型滑阀式电磁阀

工作 OPERATION

When de-energized, the valve allows flow in both directions. When energized, the cartridge's spool shifts to block flow in both directions.

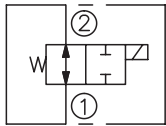
失电时，此阀允许油液双向流动；得电后，阀芯移动，从而双向截止油液流动。

手控应急 Operation of Manual Override Option

To override, push button in, twist counterclockwise 180° and release. In this position, valve will remain close in a detented condition. To return to normal operation, push button in, twist clockwise 180° and release. Override will be detented in this position.

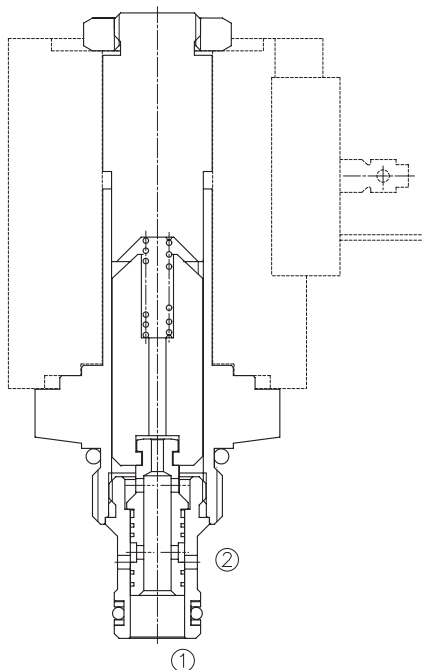
请按下按钮，再逆时针方向旋转 180°，后松开，双向截止油液流动；请按下按钮，再顺时针方向旋转 180°，后松开，返回常态。

SYMBOL

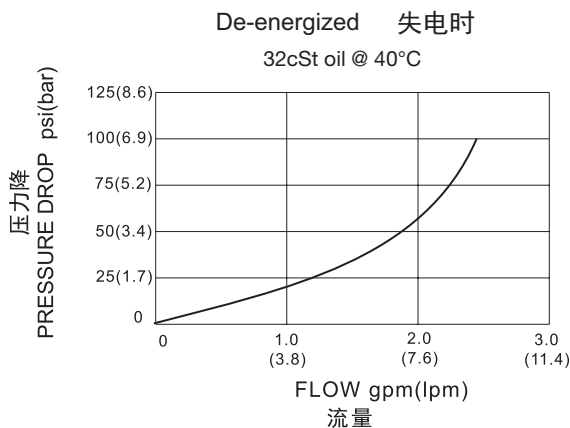


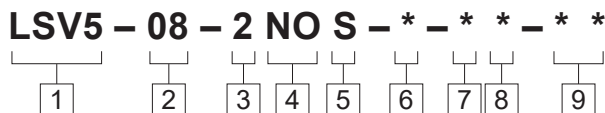
技术参数 SPECIFICATIONS

| | |
|---------------------------|--|
| 工作压力(Operating Pressure): | 315bar |
| 流量(Flow): | See PRESSURE DROP VS.FLOW graph. |
| 内泄漏(Internal Leakage): | 82 cc/min. (毫升/分) max at 280bar |
| 温度(Temperature): | -40°F to +212°F(-40°C to +100°C) |
| 线圈额定负载(Coil Duty Rating): | Continuous from 85% to 115% of nominal voltage(连续工作电压) |
| 过滤(Filtration): | See page (参见) N-1 |
| 油液(Fluids): | Mineral-based fluids with viscosities of 7.4 to 420 cSt.(矿物油粘度) |
| 插孔(Cavity): | 08-2, See page M-1 |
| 阀块材料(Body Material): | 6061-T6 aluminum alloy rated to 207bar, Steel & Ductile iron rated to 350bar 6061-T6铝,允许使用最大压力207bar 钢和球铁允许使用最大压力350bar |



压力 - 流量曲线 PRESSURE DROP VS.FLOW





- 1** 功能
LSV5= 电磁阀 Solenoid Valve

- 2** 规格 Size
08=08 规格

- 3** 流道类型 Flow Path
2= 二通

- 4** 模式
NO= 常开 Normally Open

- 5** 类型
S= 滑阀型 Spool

- 6** 手控应急
空白 Blank= 无手控应急 None
M= 手控应急 Manual Override

- 7** 电压 Voltage
1=12 VDC
2=24 VDC
3=110 VAC
4=220 VAC
5=10 VDC

- 8** 线圈连接 Coil Connection
D= Double Lead 双线
H= Hirschmann 三插
C= Conduit 带嵌套
ER= Deutsch Connector(Water-proof Coil)
德意志插座(防水线圈) IP69K
B= Double Spade 双插

- 9** 阀块油口 Body Porting
空白 Blank= 不带阀块 None
4T=SAE 4
6T=SAE 6
2G=G 1/4
3G=G 3/8

- ※ 阀块详见章节 K-1
其它螺纹油口也是可选择的
Other Porting Is Available

安装尺寸 INSTALLATION DIMENSIONS

Coil Must Be Installed With Letter Up
安装线圈时，字母必须朝上。

Unit=Millimeters

