

# LSV-10-3-L

二位三通电磁阀 锥阀型

专利号 :201120144683.X

## 说明 DESCRIPTION

A solenoid operated, 3-way, 2-position, poppet-type cartridge valve.

二位，三通，座阀式电磁阀

## 工作 OPERATION

When de-energized, the valve allows flow from ② to ① or from ① to ② ,while blocking flow at ③ . When energized, the valve allows flow from ② to ③ or from ③ to ② , while blocking flow at ① .

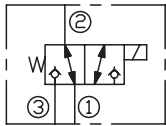
失电时，②和①通，与③不通；得电时，②和③通，与①不通。

## 手控应急 Operation of Manual Override Option

To override, push button in to activate. To return to normal valve function, release button.

请用工具按下并按住按钮，②和③通，与①不通；松开按钮，返回常态。

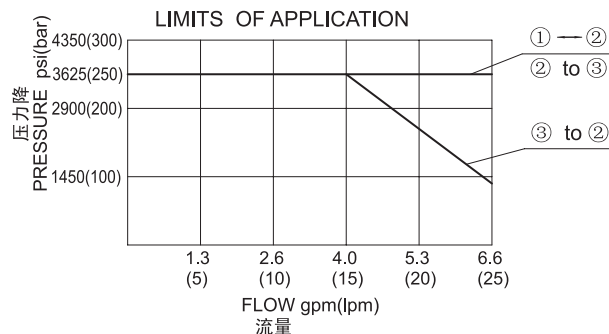
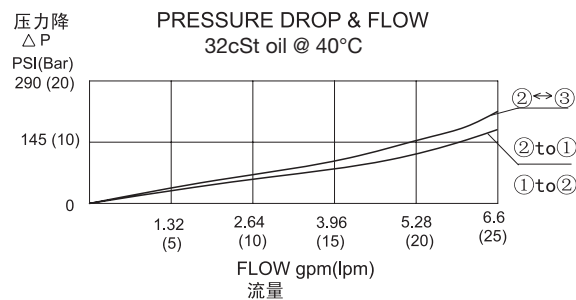
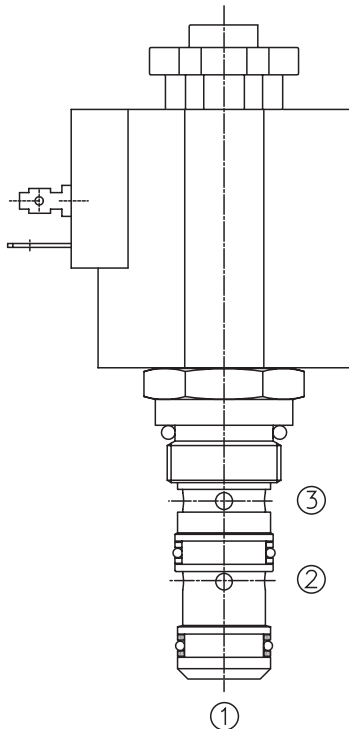
## SYMBOL



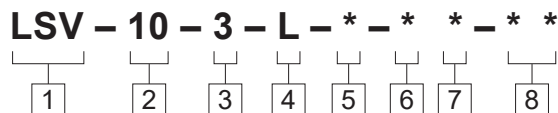
## 技术参数 SPECIFICATIONS

工作压力(Operating Pressure):	250bar
流量(Flow):	See PERFORMANCE CHARACTERISTIC graph.
内泄漏(Internal Leakage):	<1 drops/min.(滴/分)Our ideal leakage: <0.05 drops/min
温度(Temperature):	-40°F to +212°F(-40°C to +100°C)
线圈额定负载(Coil Duty Rating):	Continuous from 85% to 115% of nominal voltage(连续工作电压)
过滤(Filtration):	See page (参见) N-1
油液(Fluids):	Mineral-based fluids with viscosities of 7.4 to 420 cSt.(矿物油粘度)
插孔(Cavity):	10-3,See page M-2
阀块材料(Body Material):	6061-T6 aluminum alloy rated to 207bar, Steel & Ductile iron rated to 350bar 6061-T6铝,允许使用最大压力207bar 钢和球铁允许使用最大压力350bar

## 压力 – 流量曲线 PRESSURE DROP VS.FLOW



订货代号 TO ORDER



<p><b>1</b> 功能 LSV= 电磁阀 Solenoid Valve</p>	<p><b>6</b> 电压 Voltage 1=12 VDC 2=24 VDC 3=110 VAC 4=220 VAC</p>	<p><b>8</b> 阀块油口 Body Porting 空白 Blank= 不带阀块 None 6T=SAE6 8T=SAE8 2G=G 1/4 3G=G 3/8</p>
<p><b>2</b> 规格 Size 10=10 规格</p>	<p><b>7</b> 线圈连接 Coil Connection D= Double Lead 双线 H= Hirschmann 三插 S= Single Lead 单线 ER= Deutsch Connector(Water-proof Coil) 德意志插座(防水线圈) B= Double Spade 双插</p>	<p>※ 阀块详见章节 K-5 其它螺纹油口也是可选择的 Other Porting Is Available</p>
<p><b>3</b> 流道类型 Flow Path 3= 三通</p>		
<p><b>4</b> 泄漏 L= 零泄漏 Zero Leakage</p>		
<p><b>5</b> 手控应急 空白 Blank= 无手控应急 None M= 手控应急 Manual Override</p>		

**安装尺寸 INSTALLATION DIMENSIONS**

Coil Must Be Installed With Letter Up  
安装线圈时，字母必须朝上。

Unit=Millimeters

