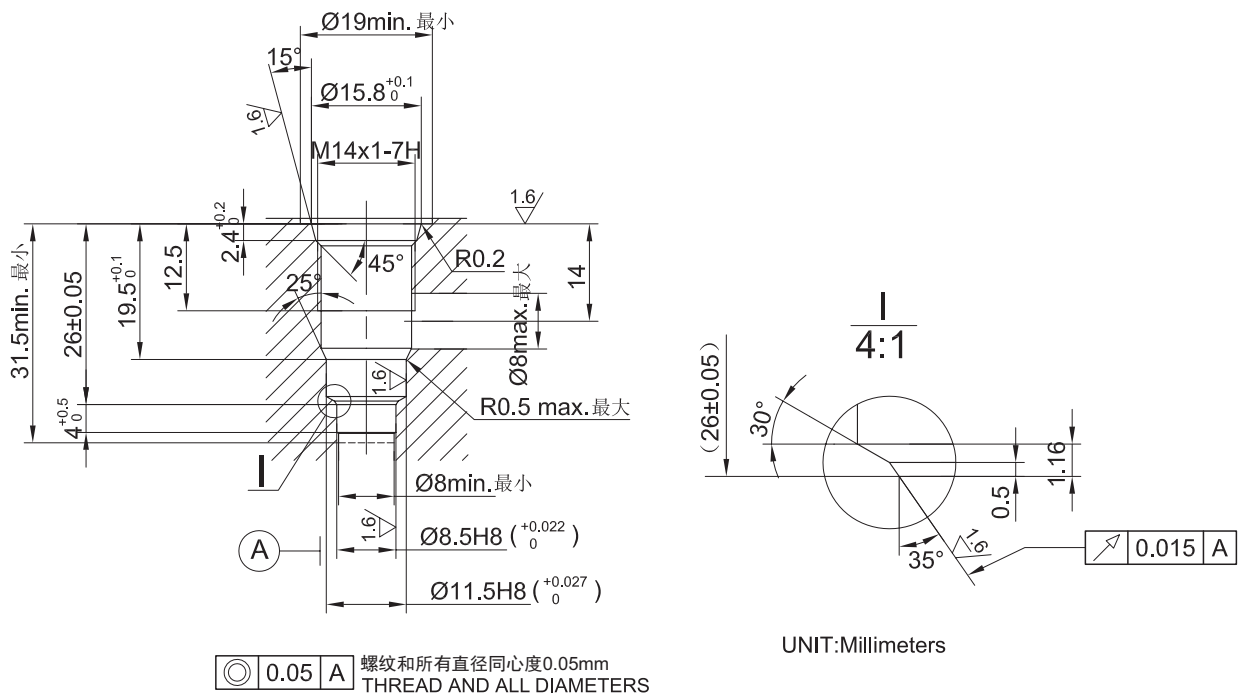


UNIT: Millimeters

CAVITY: Rexroth-DBD-10K



UNIT: Millimeters

0.05 A 螺纹和所有直径同心度0.05mm  
THREAD AND ALL DIAMETERS

CAVITY: Rexroth-869