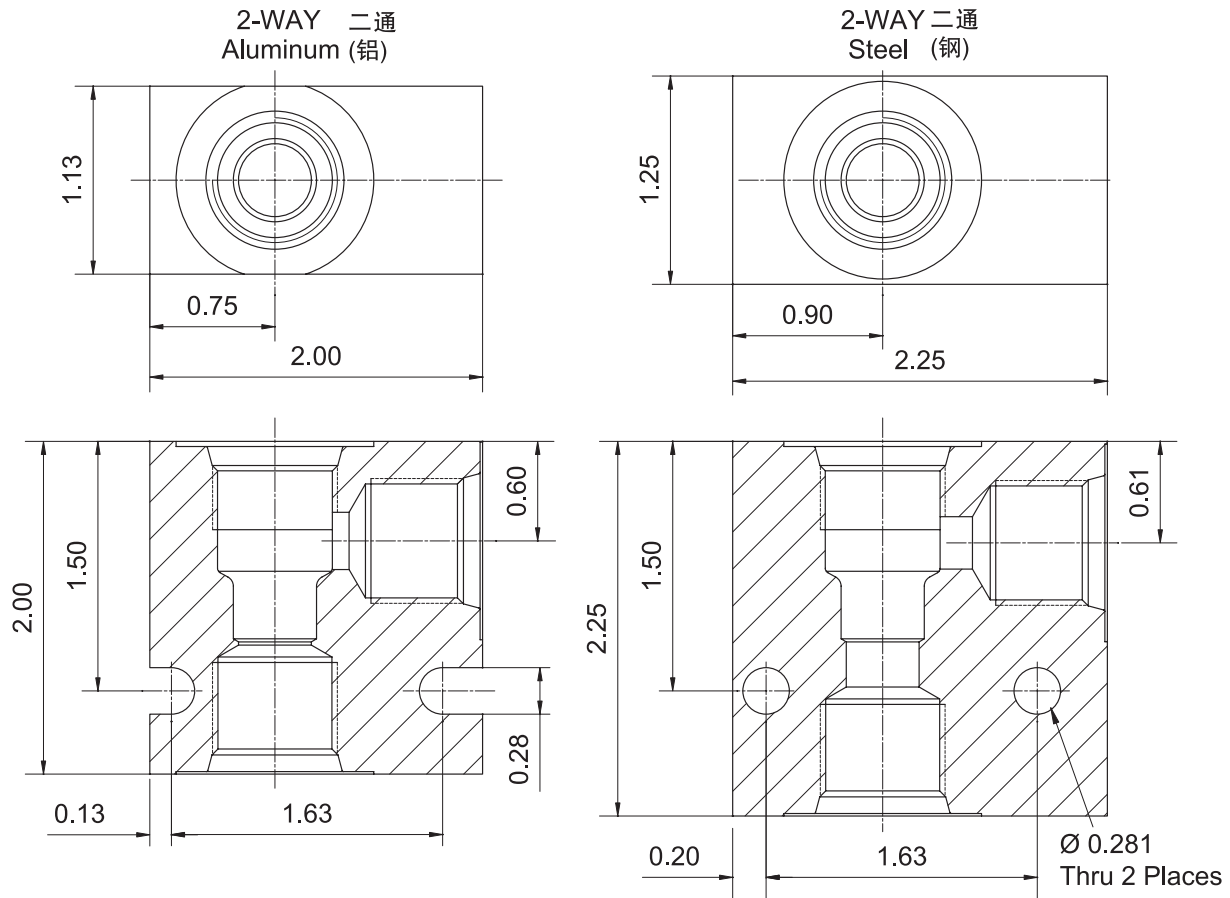


# 标准阀块

## Series 08 2-WAY Housings



Unit=Inches

SERIES 08 2-WAY HOUSINGS			
Part No.	Material	Operating Pressure	Ports
LB08-2-A-3N	Aluminum,6061-T6	210 bar (3000 psi)	3/8" NPTF
LB08-2-A-4T	Aluminum,6061-T6	210 bar (3000 psi)	SAE 4
LB08-2-A-5T	Aluminum,6061-T6	210 bar (3000 psi)	SAE 5
LB08-2-A-6T	Aluminum,6061-T6	210 bar (3000 psi)	SAE 6
LB08-2-A-8T	Aluminum,6061-T6	210 bar (3000 psi)	SAE 8
LB08-2-A-2G	Aluminum,6061-T6	210 bar (3000 psi)	G 1/4
LB08-2-A-3G	Aluminum,6061-T6	210 bar (3000 psi)	G 3/8
LB08-2-S-3N	Steel	350 bar (5000 psi)	3/8" NPTF
LB08-2-S-4T	Steel	350 bar (5000 psi)	SAE 4
LB08-2-S-6T	Steel	350 bar (5000 psi)	SAE 6
LB08-2-S-8T	Steel	350 bar (5000 psi)	SAE 8
LB08-2-S-2G	Steel	350 bar (5000 psi)	G 1/4
LB08-2-S-3G	Steel	350 bar (5000 psi)	G 3/8