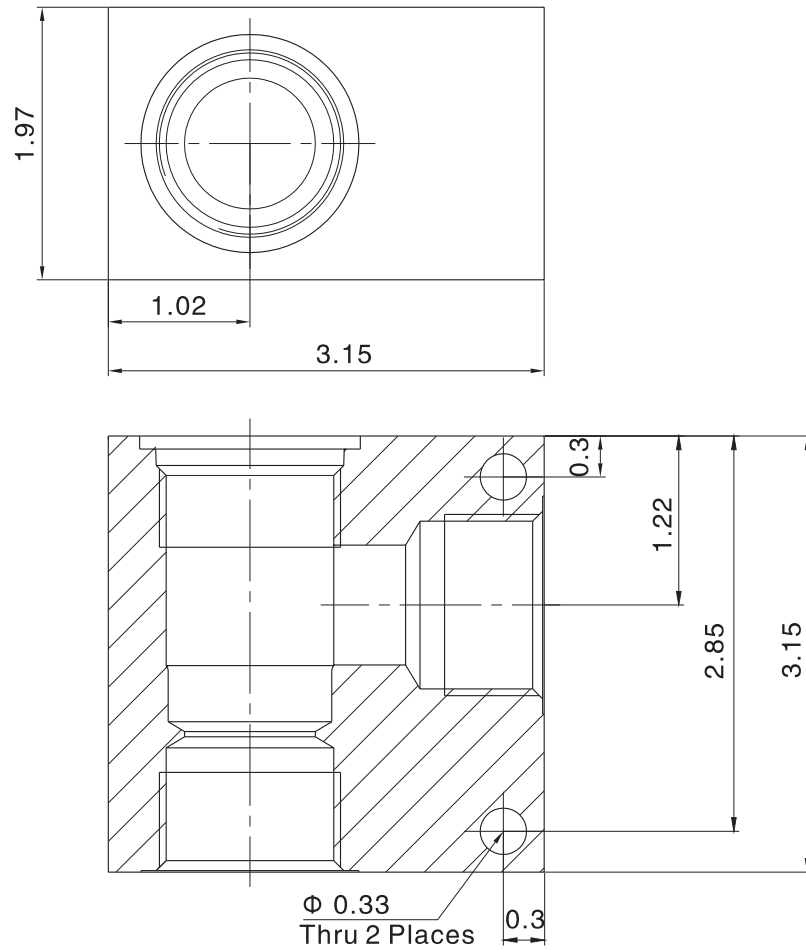


2-WAY 二通
Steel (钢)



Unit=Inches

SERIES 16S 2-WAY HOUSINGS			
Part No.	Material	Operating Pressure	Ports
LB16S-2-S-10T	Steel	350 bar (5000 psi)	SAE 10
LB16S-2-S-12T	Steel	350 bar (5000 psi)	SAE 12
LB16S-2-S-16T	Steel	350 bar (5000 psi)	SAE 16
LB16S-2-S-6G	Steel	350 bar (5000 psi)	G 3/4
LB16S-2-S-8G	Steel	350 bar (5000 psi)	G 1

K