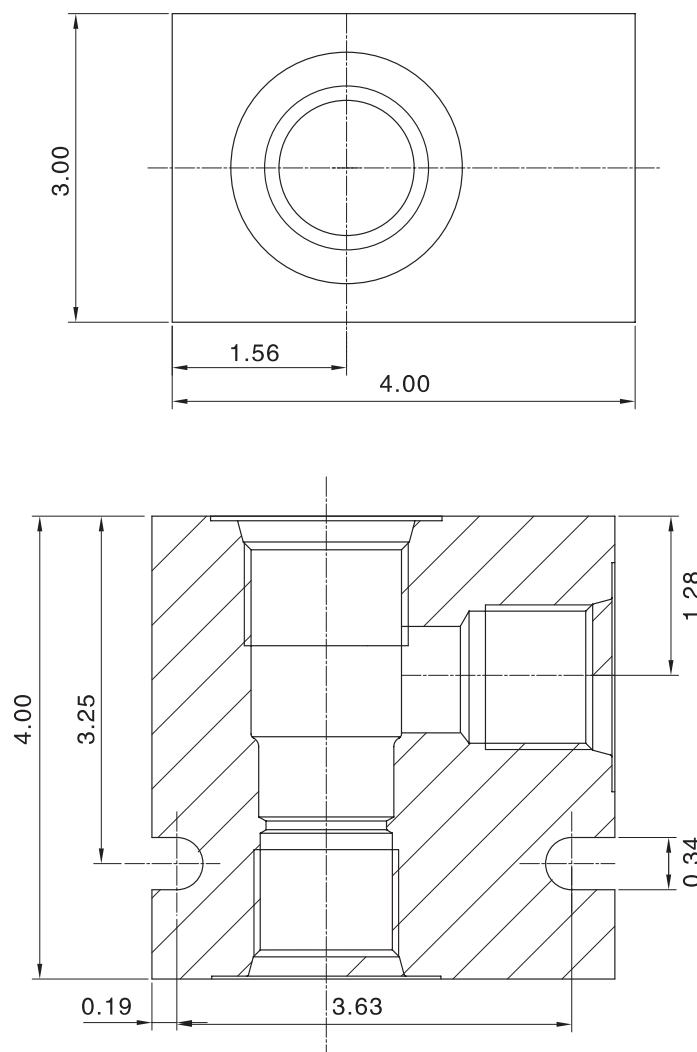


# 标准阀块

Series 20 2-Way Housings

2-WAY 二通  
Aluminium , Steel (铝, 钢)



Unit=Inches

SERIES 20 2-WAY HOUSINGS			
Part No.	Material	Operating Pressure	Ports
LB20-2-A-16T	Aluminum,6061-T6	210 bar (3000 psi)	SAE 16
LB20-2-A-20T	Aluminum,6061-T6	210 bar (3000 psi)	SAE 20
LB20-2-S-16T	Steel	350 bar (5000 psi)	SAE 16
LB20-2-S-20T	Steel	350 bar (5000 psi)	SAE 20