

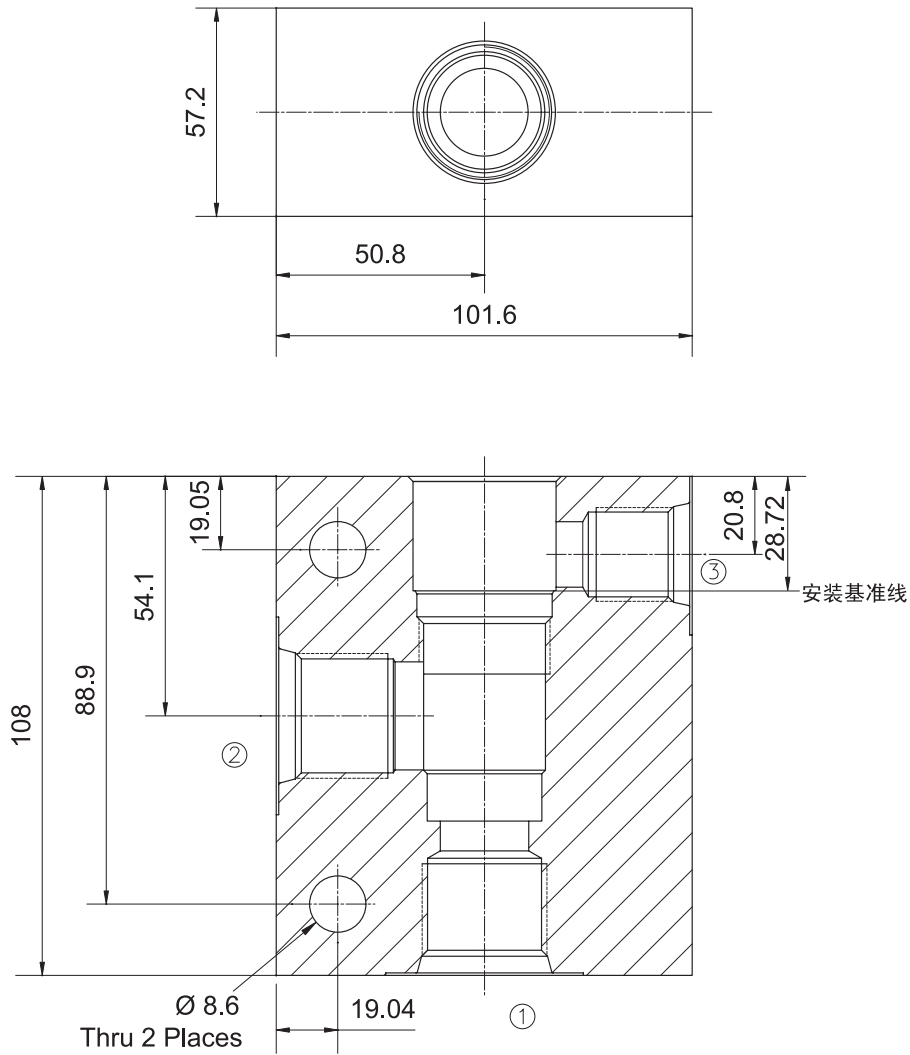
Unit=Millimeters

Part No.	Ports
LYAA	1/4" NPTF
LYAB	3/8" NPTF
LYAC	1/2" NPTF
LYAD	3/4" NPTF
LYAI	SAE 6
LYAJ	SAE 8
LYAK	SAE 10
LYAL	SAE 12
LYAT	G 1/4
LYAU	G 3/8
LYAV	G 1/2
LYAW	G 3/4

Material	Operating Pressure	Part No.
Aluminum,6061-T6	210 bar (3000 psi)	****
Steel	350 bar (5000 psi)	****-S

# 标准阀块

Series SUN T-17A Housings



Unit=Millimeters

Part No.	Ports 1 & 2	Port 3
LHCD	3/4" NPTF	1/4" NPTF
LHCE	1" NPTF	1/4" NPTF
LHCF	1 1/4" NPTF	1/4" NPTF
LHCL	SAE 12	SAE 6
LHCM	SAE 16	SAE 6
LHCN	SAE 20	SAE 6
LHCW	G 3/4	G 1/4
LHCX	G 1	G 1/4
LHCY	G 1 1/4	G 1/4

Material	Operating Pressure	Part No.
Aluminum,6061-T6	210 bar (3000 psi)	****
Steel	350 bar (5000 psi)	****-S