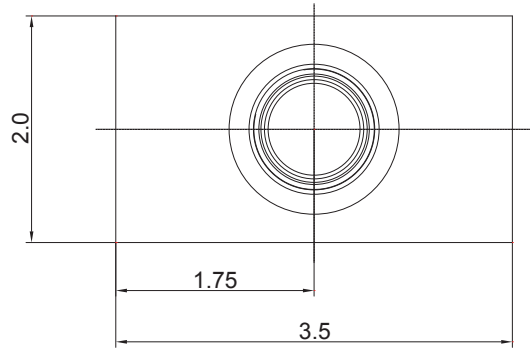
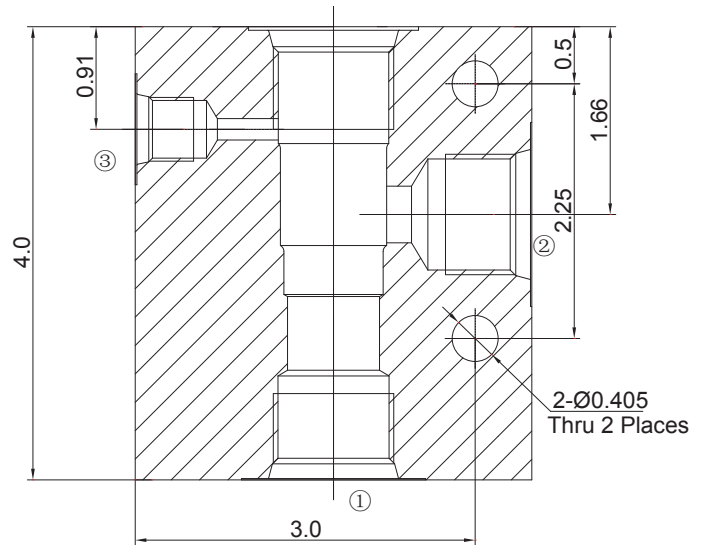
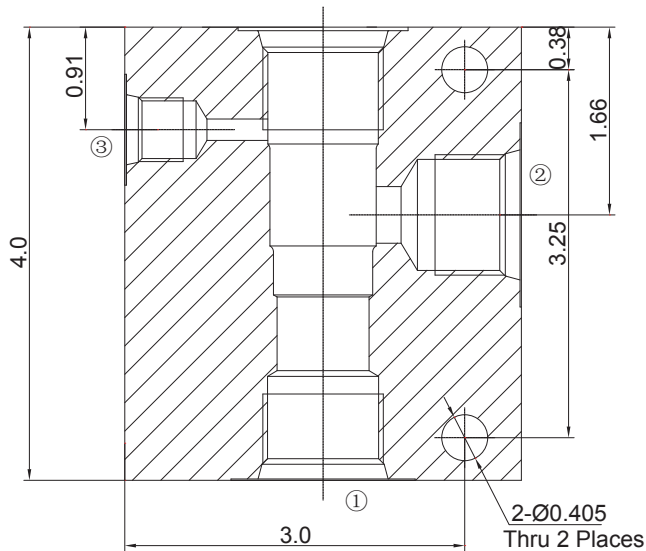
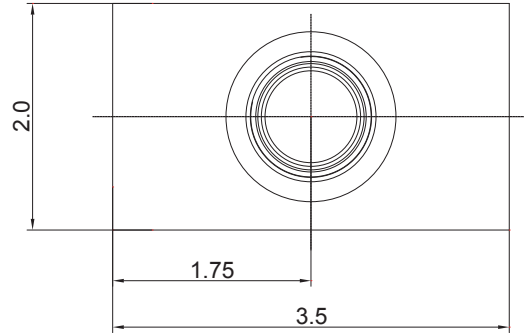


3-WAY 三通
Aluminum(铝)



3-WAY 三通
Steel (钢)



Unit=Inches

SERIES 12 3S-WAY HOUSINGS				
Part No.	Material	Operating Pressure	Ports 1&2	Port 3
LB12-3S-A-10T	Aluminum,6061-T6	210 bar (3000 psi)	SAE 10	SAE 6
LB12-3S-A-12T	Aluminum,6061-T6	210 bar (3000 psi)	SAE 12	SAE 6
LB12-3S-A-4G	Aluminum,6061-T6	210 bar (3000 psi)	G 1/2	G 3/8
LB12-3S-A-6G	Aluminum,6061-T6	210 bar (3000 psi)	G 3/4	G 3/8
LB12-3S-S-10T	Steel	350 bar (5000 psi)	SAE 10	SAE 6
LB12-3S-S-12T	Steel	350 bar (5000 psi)	SAE 12	SAE 6
LB12-3S-S-4G	Steel	350 bar (5000 psi)	G 1/2	G 3/8
LB12-3S-S-6G	Steel	350 bar (5000 psi)	G 3/4	G 3/8

K