

LFC-08

单向节流阀

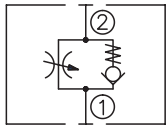
说明 DESCRIPTION

A cartridge-style adjustable flow control valve with reverse flow check
单向节流阀

工作 OPERATION

The valve varies flow restriction by adjusting needle in or out. Flow is metered from ② to ①. Free reverse flow is from ① to ②
节流阀流量大小可通过调节螺杆来实现。②到①节流，①到②开启。

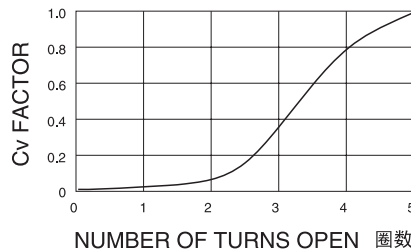
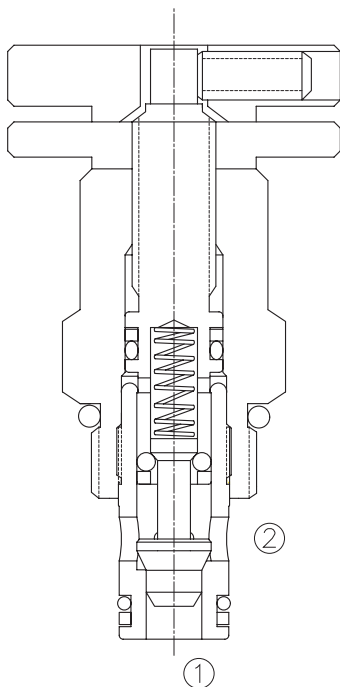
SYMBOL



技术参数 SPECIFICATIONS

最大工作压力(Max.Operating Pressure):	250bar
流量(Flow):	See PRESSURE DROP VS.FLOW graph.
内泄漏(Internal Leakage):	3 drops/min(滴/分). max. at shut-off
温度(Temperature):	-40°F to +250°F(-40°C to +120°C)
过滤(Filtration):	See page (参见) N-1
油液(Fluids):	Mineral-based fluids with viscosities of 7.4 to 420 cSt.(矿物油粘度)
插孔(Cavity):	08-2, See page M-1
阀块材料(Body Material):	6061-T6 aluminum alloy rated to 207bar, Steel & Ductile iron rated to 350bar 6061-T6铝,允许使用最大压力207bar 钢和球铁允许使用最大压力350bar

压力 – 流量曲线 PRESSURE DROP VS.FLOW



$$\text{FLOW IN GPM} = \frac{C_v \sqrt{P_1 - P_2}}{\sqrt{G_f}}$$

Cv = Flow Coefficient
P1 = Inlet Pressure (psi)
P2 = Outlet Pressure (psi)
Gf = specific gravity of medium at operating temperature in F°

订货代号 TO ORDER

LFC - 08 - * - * *

┌───┐
1

┌───┐
2

┌───┐
3

┌───┐
4

1 功能
LFC= 单向节流阀
Adjustable Cartridge
Flow Control Valve

3 调节 Adjustment
K= 调节手轮 1-1/2'Dia Knob
空白 Blank= 内六角调节杆 (Omit for 4mm Hex Allen head)

4 阀块油口 Body Porting
空白 Blank= 不带阀块 None
4T=SAE4
6T=SAE6
2G=G 1/4
3G=G 3/8

2 规格 Size
08=08 规格

※ 阀块详见章节 K-1
其它螺纹油口也是可选择的
Other Porting is Available

F

安装尺寸 INSTALLATION DIMENSIONS

Unit=Millimeters

