

LNRV-10

直动式溢流阀

说明 DESCRIPTION

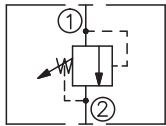
A cartridge-style, direct-acting poppet-type relief valve
直动座阀式溢流阀

工作 OPERATION

The valve prevents flow from ① to ② until the set crack pressure at ① is achieved. The poppet then unseats allowing flow from ① to ② protecting the circuit from over pressurization.

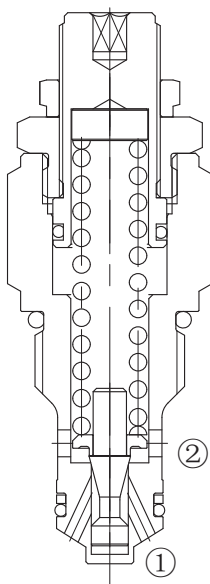
当在①口的压力超过调压弹簧设定的压力时，阀芯打开，①到②通，防止系统过压。

SYMBOL

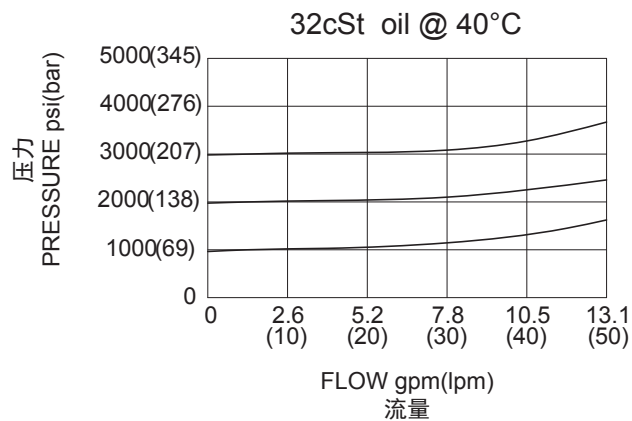


技术参数 SPECIFICATIONS

最大工作压力 (Max. Operating Pressure):	350bar
流量 (Flow) :	See PRESSURE DROP VS.FLOW graph.
内泄漏 (Internal Leakage):	5 drops/min.(滴/分) max. to 80% of nominal setting
闭合压力 (Reseat Pressure):	80% of crack pressure 开启压力(crack pressure at 0.95lpm/0.25gpm)
弹簧调压范围 (Standard Spring Ranges):	25 to 120 bar; preset 预设定: 69bar 40 to 200 bar; preset 预设定: 138bar 200 to 350 bar; preset 预设定: 207bar
温度 (Temperature):	-40°F to +250°F(-40°C to +120°C)
过滤 (Filtration):	See Page (参见) N-1
油液 (Fluids):	Mineral-based fluids with viscosities of 7.4 to 420 cSt. (矿物油粘度)
插孔 (Cavity):	10-2, See page M-2
阀块材料 (Body Material):	Steel & Ductile iron rated to 350bar 钢和球铁允许使用最大压力350bar



压力 - 流量曲线 PRESSURE DROP VS.FLOW



订货代号 TO ORDER

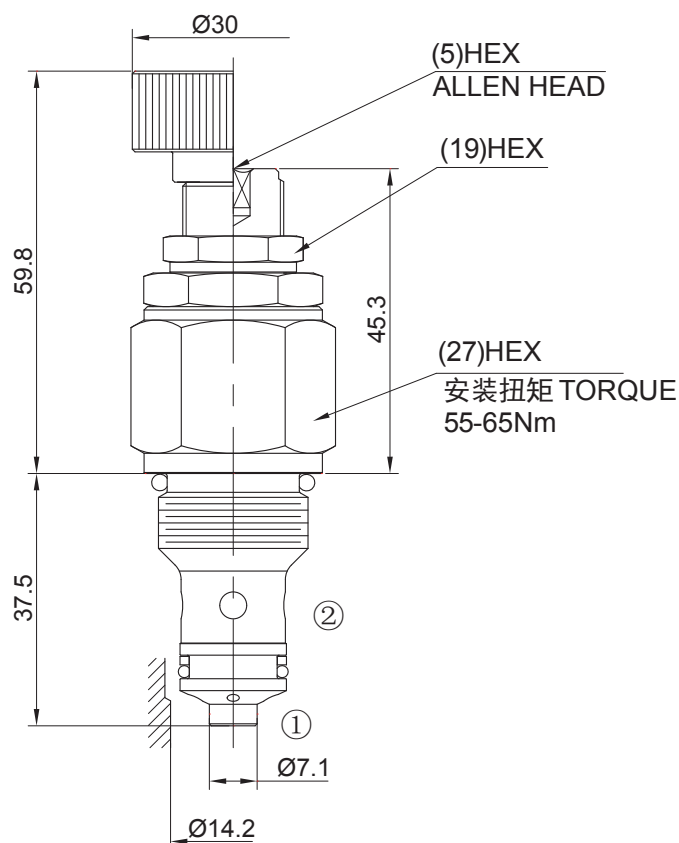
LNRV -10 - * * - * / ** - * ***

┌───┐
┌───┐
┌───┐
┌───┐
┌───┐
┌───┐

1
2
3
4
5
6

- | | | |
|-------------------------------------------------------------------------------------------------------------------------------------------------------------------------------------------------------------------------------------------------------------------------------------------------------|-------------------------------------------------------------------------------------------------------------|-------------------------------------------------------------------------------------------------------------|
| <p>1 功能
LNRV= 直动式溢流阀
Direct-Acting Relief Valve</p> | <p>4 调节 Adjustment
K= 调节手轮 30mm Dia Knob
空白 Blank= 5mm 内六角调节杆
for 5mm Hex Allen Head</p> | <p>6 阀块油口 Body Porting
空白 Blank= 不带阀块 None
6T=SAE6
8T=SAE8
3G=G 3/8
4G=G 1/2</p> |
| <p>2 规格 Size
10=10 规格</p> | <p>5 设定压力 Setting In Bar
空白 Blank= 预设设定 Preset
例 Example:0200=200bar</p> | <p>※ 阀块详见章节 K-4
其它螺纹油口也是可选择的
Other Porting is Available</p> |
| <p>3 弹簧调压范围 Spring Ranges
18=360-1740psi(25-120bar)
Preset:1000psi(69bar)
29=580-2900psi(40-200bar)
Preset:2000psi(138bar)
50=2900-5000psi(200-350bar)
Preset:3000psi(207bar)
Factory pressure setting established at 5L/min;
工厂的设定是指溢流阀开启[流量为5L/min]时的压力;</p> | | |

安装尺寸 INSTALLATION DIMENSIONS



Unit=Millimeters

*要求安装流道孔Ø14.2深>38

E