

LNRV-08

直动式溢流阀

说明 DESCRIPTION

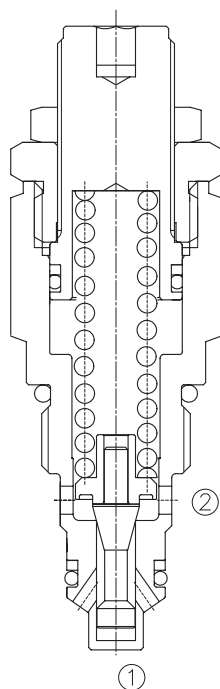
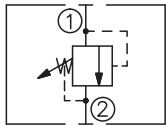
A cartridge-style direct-acting poppet-type relief valve
直动座阀式溢流阀

工作 OPERATION

The valve prevents flow from ① to ② until the set crack pressure at ① is achieved. The poppet then unseats allowing flow from ① to ② protecting the circuit from over pressurization.

当在①口的压力超过调压弹簧设定的压力时，阀芯打开，①到②通，防止系统过压。

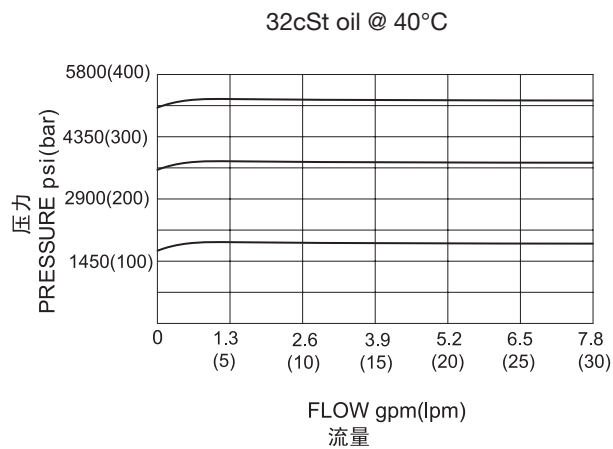
SYMBOL



技术参数 SPECIFICATIONS

工作压力(Operating Pressure):	350bar
流量(Flow):	See PRESSURE DROP VS. FLOW graph.
内泄漏(Internal Leakage):	5 drops/min(滴/分). max. to 80% of nominal setting
闭合压力(Reseat Pressure):	80% of crack pressure 开启压力 (crack pressure at 0.95 lpm /0.25 gpm)
弹簧调压范围(Standard Spring Ranges):	20 to 125 bar; preset 预设: 69 bar 40 to 180 bar; preset 预设: 138 bar 50 to 240 bar; preset 预设: 172 bar 180 to 350 bar; preset 预设: 207 bar
温度(Temperature):	-40°F to +250°F (-40°C to +120°C)
过滤(Filtration):	See page (参见) N-1
油液(Fluids):	Mineral-based fluids with viscosities of 7.4 to 420 cSt.(矿物油粘度)
插孔(Cavity):	08-2, See page M-1
阀块材料(Body Material):	Steel & Ductile iron rated to 350bar 钢和球铁允许使用最大压力350bar

压力 - 流量曲线 PRESSURE DROP VS.FLOW



订货代号 TO ORDER

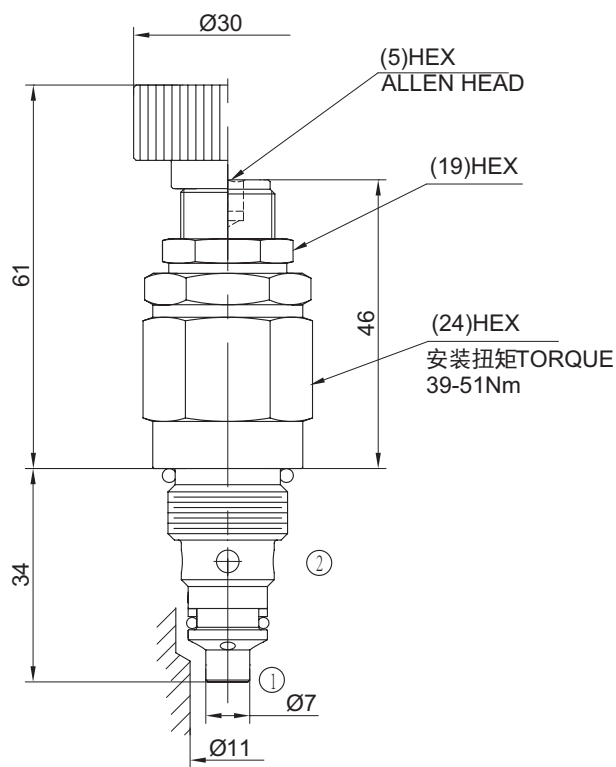
LNRV -08 - * * - * / ** - * ***

1
 2
 3
 4
 5
 6

- | | | |
|---|--|---|
| <p>1 功能
LNRV= 直动式溢流阀
Direct-Acting Relief Valve</p> | <p>4 调节 Adjustment
K= 调节手轮 30mm Dia Knob
内六角调节杆 (Omit for 5 Hex Allen head)</p> | <p>6 阀块油口 Body Porting
空白 Blank= 不带阀块 None
4T=SAE4
6T=SAE6
2G=G 1/4
3G=G 3/8</p> |
| <p>2 规格 Size
08=08 规格</p> | <p>5 设定压力 Setting In Bar
空白 Blank= 预设设定 Preset
例 Example:0200=200bar</p> | <p>※ 阀块详见章节 K-1
其它螺纹油口也是可选择的
Other Porting is Available</p> |
| <p>3 弹簧调压范围 Spring Ranges
18=290-1800psi(20-125bar)
Preset:1000psi(69bar)
26=580-2600psi(40-180bar)
Preset:2000psi(138bar)
35=725-3500psi(50-240bar)
Preset:2500psi(172bar)
50=2600-5000psi(180-350bar)
Preset:3000psi(207bar)</p> | | |

安装尺寸 INSTALLATION DIMENSIONS

Unit=Millimeters



*要求安装流道孔Ø11深>34