

# LMER-08

## 带微型开关的手动阀

### 说明 DESCRIPTION

A cartridge-style manual 2-way pull-to-open directional valve with microswitch

二位，二通，常闭手动带微型开关换向阀

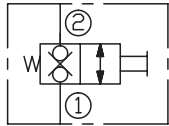
### 工作 OPERATION

The valve blocks flow in both directions. When the plunger is actuated, the poppet opens, allowing flow in both directions.

②口和①口互不通。

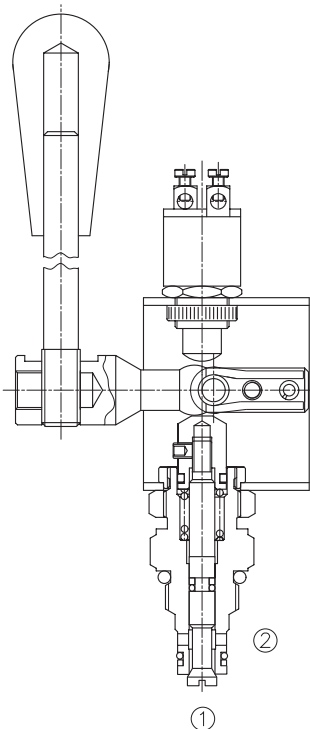
当推杆动作时，阀芯打开，②口和①口互通。

### SYMBOL

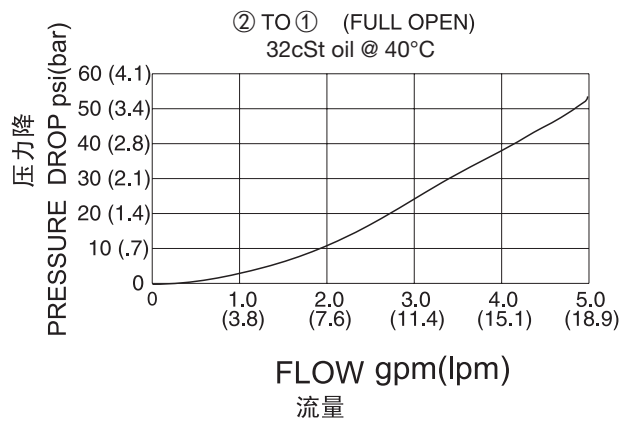


### 技术参数 SPECIFICATIONS

工作压力(Operating pressure):	250bar
流量(Flow):	See PRESSURE DROP VS.FLOW graph.
内泄漏(Internal Leakage):	2 drops/min(滴/分). max. at 250bar
温度(Temperature):	-40°F to +250°F(-40°C to +120°C)
过滤(Filtration):	See page (参见) N-1
油液(Fluids):	Mineral-based fluids with viscosities of 7.4 to 420 cSt.(矿物油粘度)
插孔(Cavity):	08-2, See page M-1
阀块材料(Body Material):	6061-T6 aluminum alloy rated to 207bar, Steel & Ductile iron rated to 350bar 6061-T6铝,允许使用最大压力207bar 钢和球铁允许使用最大压力350bar



### 压力 - 流量曲线 PRESSURE DROP VS.FLOW



订货代号 TO ORDER

**LMER - 08 - \* \***

┌───┐

1

┌──┐

2

┌──┐

3

**1 功能**

LMER= 带微型开关的手动阀  
Normally-Closed, Cartridge  
Mechanically-Operated Valve  
with Microswitch

**2 规格 Size**

08=08 规格

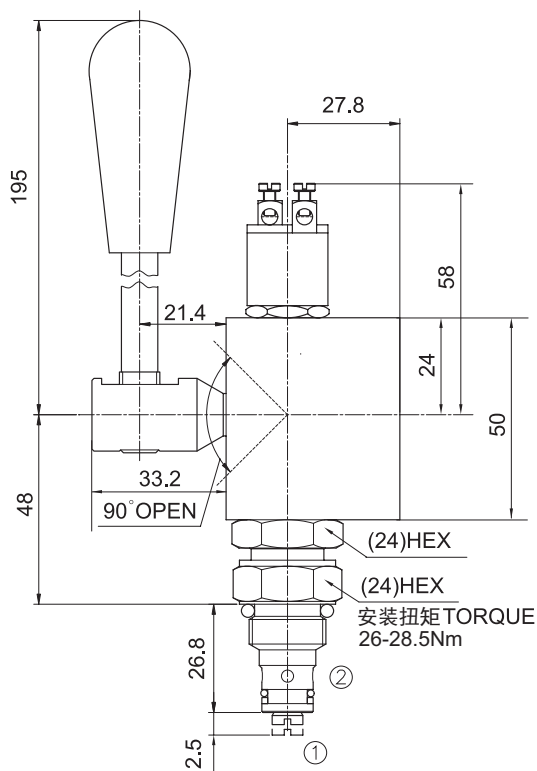
**3 阀块油口 Body Porting**

空白 Blank= 不带阀块 None  
4T=SAE4  
6T=SAE6  
2G=G 1/4  
3G=G 3/8

※ 阀块详见章节 K-1  
其它螺纹油口也是可选择的  
Other Porting is Available

D

**安装尺寸 INSTALLATION DIMENSIONS**



Unit=Millimeters

此特殊阀芯要求  
插孔有  $\phi 10.31$ MIN  
深33.3MIN;

SPECIAL POPPET CLEARANCE  
REQUIREMENT -CAVITY MUST  
HAVE .406(10.31)DIA.MIN.  
1.31(33.3)DEEP .MIN. FOR  
PROPER OPERATION.