

LMP-08-L

手动阀

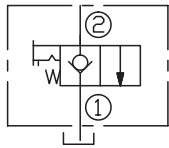
说明 DESCRIPTION

A cartridge-style manual 2-way pull-to-open directional valve
二位，二通，常闭手动换向阀

工作 OPERATION

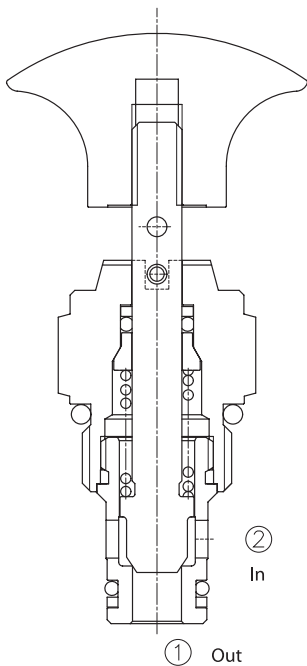
The valve blocks flow ② to ① until an operator pulls the shaft outward.
A unique pull-and-rotate feature for holding the positive actuated position is optional. A 90° rotation is required to position at the hold slot. The valve resets to spring-return de-actuated with a slight pull and a 90° turn from the locked actuated position.
此阀截止油液从②向①流动，直到操作人员向外拉动拉杆时才允许油液从②向①流动。
注：油口①的压力将直接作用在阀芯和弹簧上，油口①只能回油箱。采用拉动旋转手柄，②到①通，手柄旋转 90°，定位在固定槽内。轻轻拉动手柄并自锁定位旋转 90° 后，弹簧复位，油液通道关闭。

SYMBOL

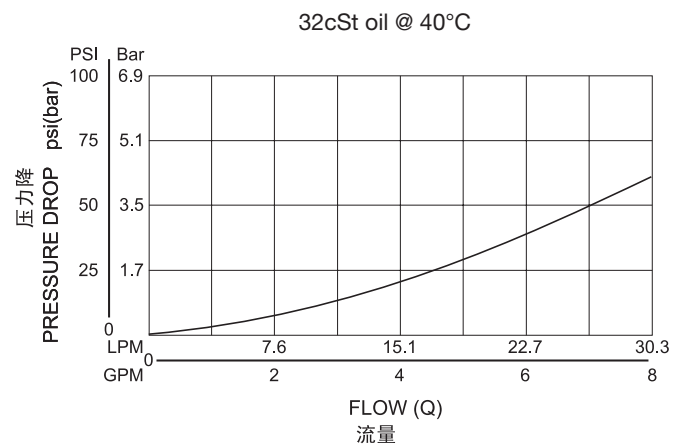


技术参数 SPECIFICATIONS

工作压力(Operating pressure):	210bar
流量(Flow):	See PRESSURE DROP VS.FLOW graph.
内泄漏(Internal Leakage):	5 drops/min(滴/分). max. at 210bar
温度(Temperature):	-40°F to +250°F(-40°C to +120°C)
过滤(Filtration):	See page (参见) N-1
油液(Fluids):	Mineral-based fluids with viscosities of 7.4 to 420 cSt.(矿物油粘度)
插孔(Cavity):	08-2, See page M-1
阀块材料(Body Material):	6061-T6 aluminum alloy rated to 207bar, Steel & Ductile iron rated to 350bar 6061-T6铝,允许使用最大压力207bar 钢和球铁允许使用最大压力350bar

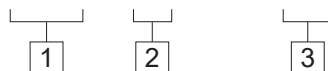


压力 - 流量曲线 PRESSURE DROP VS.FLOW



订货代号 TO ORDER

LMP - 08 - L - * *



1 功能

LMP= 手动换向阀 Manual, Spring Return, Pull-to-shift

2 规格 **Size**

08=08 规格

3 阀块油口 **Body Porting**

空白 Blank= 不带阀块 None

4T=SAE4

6T=SAE6

2G=G 1/4

3G=G 3/8

※ 阀块详见章节 K-1

其它螺纹油口也是可选择的

Other Porting is Available

D

安装尺寸 **INSTALLATION DIMENSIONS**

Unit=Millimeters

