

# LM-SQ-30-G12



## 顺序阀

### 说明 DESCRIPTION

An in-line, adjustable direct-acting sequence valve with internal pilot and drain  
直动式顺序阀

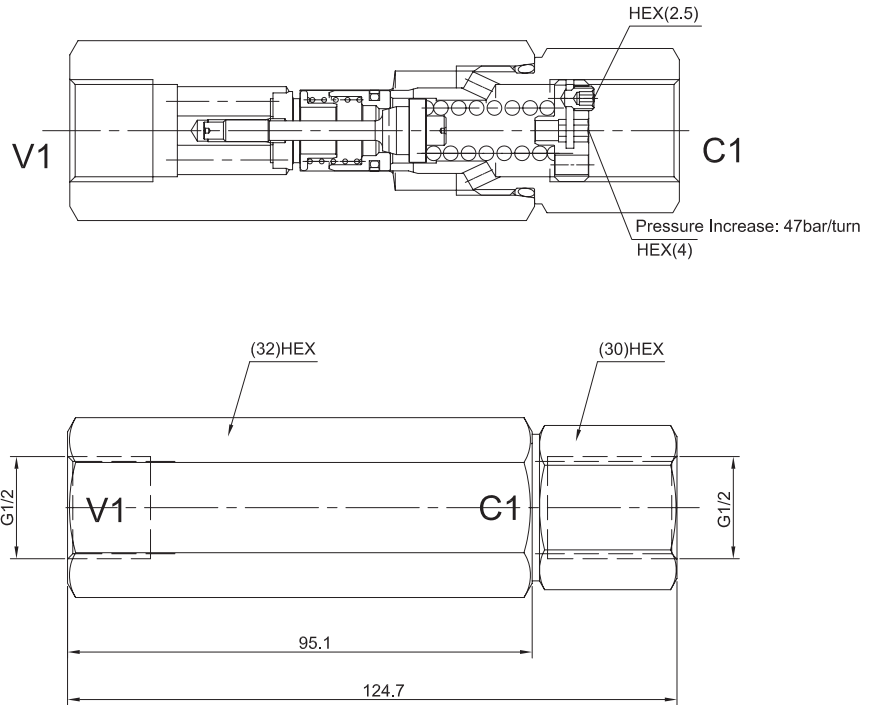
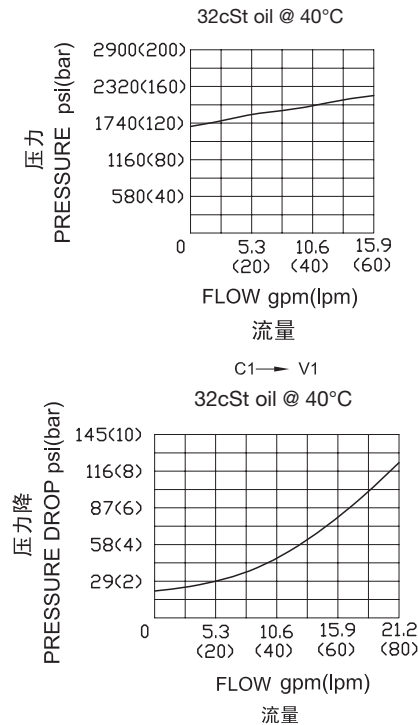
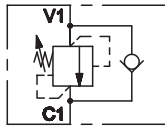
### 工作 OPERATION

Pressure at C1 overcomes the spring-bias pressure 1.1 bar and allows free flow to V1, V1 pressure increases to meet the valve setting, allow flow from V1 to C1.  
油液从 C1 到 V1 单向阀开启压力 1.1bar, V1 压力直到上升到此阀的设置压力, V1 到 C1 打开。

### 技术参数 SPECIFICATIONS

|                                 |   |
|---------------------------------|---|
| 工作压力(Operating Pressure):       | 350bar  |
| 流量(Flow):                       | See PRESSURE DROP VS.FLOW graph.                                |
| 内泄漏(Internal Leakage):          | 5 drops/min.(滴/分)max at 350bar                                  |
| 弹簧调压范围(Standard Spring Ranges): | 30 to 120bar  |
| 温度(Temperature):                | -40°F to +250°F(-40°C to +120°C)                                |
| 过滤(Filtration):                 | See page (参见) N-1   |
| 油液(Fluids):                     | Mineral-based fluids with viscosities of 7.4 to 420 cSt.(矿物油粘度) |

### SYMBOL



### 订货代号 TO ORDER

LM-SQ-30-G12 - \* \*

1 2

1 功能  
LM-SQ-30-G12= 管接式顺序阀  
In-line Sequence Valve

2 弹簧调压范围 Spring Ranges  
10=435-1740psi(30-120bar)  
预设值 Preset:1740psi(120bar) 固定设定值 psi(bar)Q=5L/min