

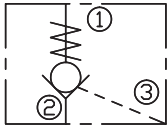
LPOC1-10-3S

液控单向阀

说明 DESCRIPTION

A cartridge-style pilot-to-open poppet-type check valve
锥阀式液控单向阀

SYMBOL



工作 OPERATION

The valve allows flow from ② to ①, while normally blocking flow from ① to ②. Flow will be allowed from ① to ② when sufficient pressure is applied at ③.

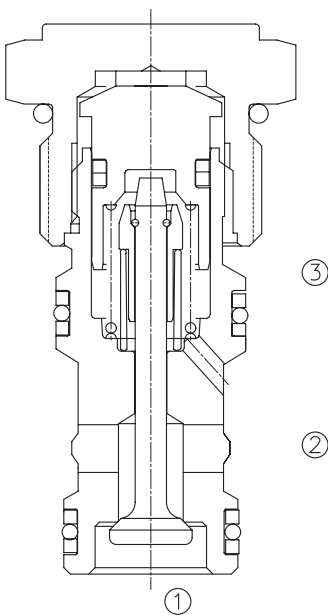
The cartridge has a 3:1 pilot ratio, meaning that at least one-third of the load pressure held at ① is required at ③ to open the valve.

当在②口的压力超过开启压力，②到①开启；在反方向，①到②关闭；

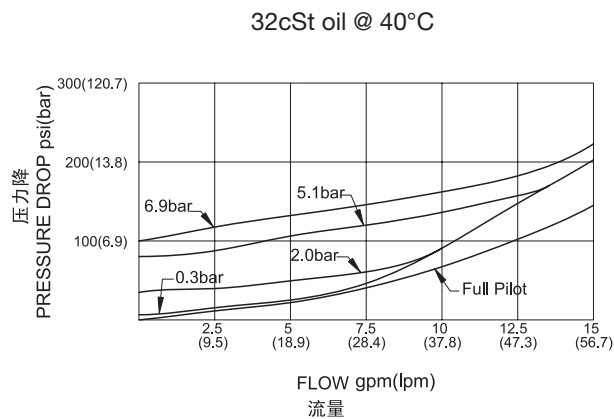
当在③口所需的液压力达到①口负载的 1/3 时，阀芯打开，①和②通，液控比为 3:1。

技术参数 SPECIFICATIONS

工作压力(Operating Pressure):	350bar
流量(Flow):	See PRESSURE DROP VS.FLOW graph.
内泄漏(Internal Leakage):	2 drops/min(滴/分). max. at 350bar
开启压力(Crack Pressures):	0.3=0.3bar 2.0=2.0bar 5.1=5.1bar 6.9=6.9bar
控制比(Pilot Ratio):	3:1
温度(Temperature):	-40°F to +250°F(-40°C to +120°C)
过滤(Filtration):	See page (参见) N-1
油液(Fluids):	Mineral-based fluids with viscosities of 7.4 to 420 cSt.(矿物油粘度)
插孔(Cavity):	10-3S, See page M-2
阀块材料(Body Material):	Steel & Ductile iron rated to 350bar 钢和球铁允许使用最大压力350bar



压力 - 流量曲线 PRESSURE DROP VS.FLOW



订货代号 TO ORDER

LPOC1 - 10-3S - * * - * *

<p>1 功能 LPOC1= 液控单向阀 Pilot to Open Check Valve</p>	<p>3 开启压力 Cracking Pressure 0.3=0.3bar 2.0=2.0bar 5.1=5.1bar 6.9=6.9bar</p>	<p>4 阀块油口 Body Porting 空白 Blank= 不带阀块 None 6T=SAE6 8T=SAE8</p>
<p>2 规格 Size 10-3S=10-3S 规格</p>	<p>其它螺纹油口也是可选择的 Other Porting is Available</p>	

D

安装尺寸 **INSTALLATION DIMENSIONS**

Unit=Millimeters

