

MHDRDB04K

直动式减压 / 溢流阀



说明 DESCRIPTION

A cartridge-style direct-acting spool-type pressure reducing/relieving valve

滑阀直动式减压 / 溢流阀

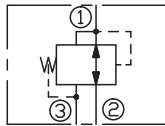
工作 OPERATION

In its steady state, the valve allows flow to pass bi-directionally from ② to ①, with the spring chamber constantly drained at ③. On attainment of a pre-determined pressure at ①, the cartridge shifts to restrict input flow at ②, thereby regulating pressure at ①. In this mode, the valve will also relieve ① to ③ at approximately 10 bar over the reducing setting.

在①口的压力达到弹簧设定的压力时，从②到①减压。弹簧腔内排到③口。

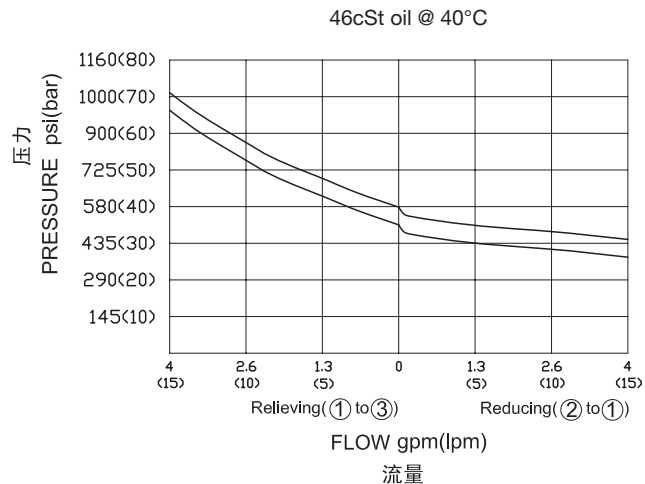
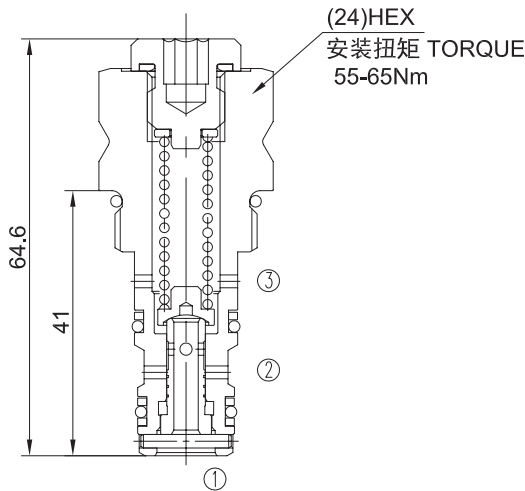
当①口的压力超过预设定的压力 10bar 以上时，②口渐渐关闭，①到③开始溢流。

SYMBOL



技术参数 SPECIFICATIONS

最大工作压力 (Max.Operating Pressure):	420bar
流量 (Flow):	See PRESSURE DROP VS.FLOW graph.
内泄漏②到③ (Internal Leakage ② to ③):	50cc/min(毫升/分) max at 300bar
设定压力 (Pressure rating):	035=35bar 040=40bar
温度 (Temperature):	-40°F to +250°F(-40°C to +120°C)
过滤 (Filtration):	See page (参见) N-1
油液 (Fluids):	Mineral-based fluids with viscosities of 7.4 to 420 cSt.(矿物油粘度)
插孔 (Cavity):	Rexroth-R/LA, See page M-14
阀块材料 (Body Material):	Steel & Ductile iron rated to 350bar 钢和球铁允许使用最大压力350bar



订货代号 TO ORDER

MHDRDB 04K - * * *

1 2 3

1 功能
MHDRDB= 直动式减压阀 (带溢流功能)
Direct-acting Pressure Reducing/Relieving Valve

3 设定压力 Setting In Bar
035=500psi(35bar)
040=580psi(40bar)

2 规格 Size
04=04 规格